

TARGA TAIL KIT – SUZUKI SFV650 GLADIUS 2009 +  
INSTALLATION INSTRUCTIONS

No cutting or drilling required. LED Taillight, LED License light and Turn Signals in this Kit are not DOT approved. Read completely before proceeding with installation.

1. Remove saddle and passenger grab rails (four rubber caps and 8 x 25mm allen bolts), then the two nylon push rivets just forward of the front grab rail bolts and lift off the 3 piece black plastic trim panel assembly. Leave the three pieces assembled. Loosen the cable ties on the rear taillight, turn signals and license light wires and unplug the plastic connectors.
2. On the underside of the rear fender, remove the single Phillips head screw from the center of the rear fender cover. Pry the front corners of the cover out to release the tab, lower the front of the cover (pull down then forward firmly) to separate the cover from the molded plastic fender bracket. Next remove the four 6 x 20mm hex head bolts with steel spacers from the underside of the molded plastic inner fender support and allow the fender assembly to drop down. The stock bolts and spacers are not re-used.
3. Remove the 5mm nuts from the turn signals, remove the turn signals and the plastic signal plates and separate the inner fender support from the rear fender. Locate the saddle keylock on the rear fender and note the position of the lock, bracket and cable. Pry the plastic tip of the outer cable from the slot in the bracket and remove the inner cable end from the lock arm. Pry up on the inner spring clip securing the lock and remove the lock and steel bracket from the fender.
4. Cut the stock taillight wires approximately 10 inches from the plastic male connector plug, strip the wire insulation ¼” and install the supplied crimp on butt wire connectors to the three wires and plug the snap connector back into the female connector on the bike.
5. Install the turn signals to the license plate/signal bracket with the supplied 8mm flatwashers on the inside, then the lockwasher and hex nut. Finger tighten only. Install the supplied signal adapter cables to the male bullet connectors of the turn signals. Install the LED license light to the ABS housing by inserting the wire thru the small 3/16” diameter hole on the underside, remove the backing film from the adhesive, center the light horizontally left to right and press firmly into place.
6. Install the stamped aluminum taillight bracket to the subframe rear holes as shown using the supplied 6 x 16mm allen flathead screws and tighten securely. Install the supplied taillight to the slots in the bracket and fasten using the supplied washers and 6mm nuts. NOTE; The light only fits one way, and the lettering/numbers on the lens should be on the lower surface. Raise the light fully in the slot and carefully tighten the hex nuts. Route the wires up over the rear of the plastic underpanel and subframe so they lay into the storage area for later connection.
7. Install the key lock into the relocated hole on the right side of the ABS housing, replace the metal bracket and spring clip to secure the lock to the housing. Route the lock cable over the top of the taillight, connect the inner cable end into the lock arm and snap the plastic tip of the outer cable firmly into the slot of the metal bracket. CHECK the lock operation for full movement (opening) of the latch catches before attempting to install the saddle. Hold the license bracket with turn signals up to the two mounting holes in the ABS housing, insert the signal wires and adapter cables up thru the large center hole and gather the turn signal and license light wires together. Route the wires ahead of the taillight and over the rear of the plastic underpanel and subframe next to the taillight wire.

TARGA TAIL KIT- SUZUKI SFV 650 GLADIUS 2009+ continued

8. Carefully slip the housing over the taillight and fully forward into place on the subframe. Install a 6 x 16mm Phillips head screw with 6mm large OD flatwasher thru the top slots of the license bracket and the mounting holes in the ABS housing. Thread the screws into the inserts in the bottom of the taillight bracket, center the license plate bracket and tighten the screws securely.

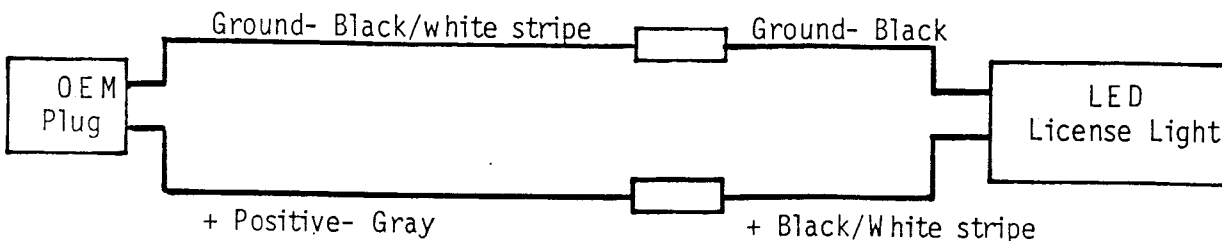
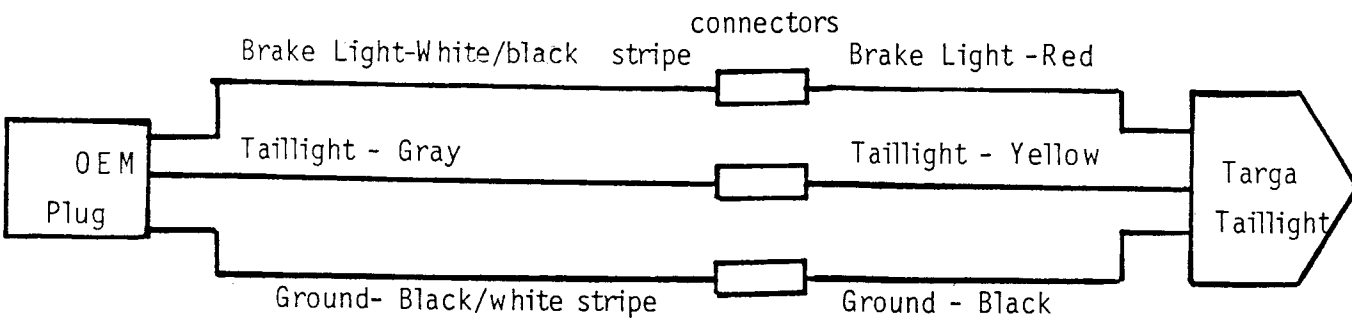
9. Connect the LED taillight wires to the crimp butt wire connectors on the OEM wires per the diagram. Connect the left and right turn signal adapter cable plugs to the OEM signal connectors. Left signal plug is Gray, Right is Black. Connect the LED license light wires as shown.

NOTE: LED lights are polarity sensitive and will not operate if connection is reversed. When all wiring is completed and operational, bundle the wires neatly together in the tailsection and secure with the supplied cable ties. Level the rear turn signals and tighten the hex nuts securely.

10. Install the 3 piece ABS trim assembly to the rear subframe with the sides over the top edges of the new ABS cover housing, and replace the two nylon push rivets holding it to the sidepanels. Install the passenger grab rails, allen bolts and rubber caps. Re-check seat lock operation and install the seat. Periodically check all fasteners to insure they remain tight.

Material List

Item No.	Description		Quantity
1	Molded ABS rear cover housing -black	# 24-1013	1
2	Stamped Taillight mounting bracket	# 24-1012	1
3	Stamped license plate/signal bracket	# 24-1014	1
4	Mini cat-eye turn signals black/clear lens	# 07-9306B/C	1 pr.
5	Turn Signal Adapter Cables (not shown)	# 07-1108	1 pr.
6	7 LED V- Design Tail/Stop Light	# 07-1851	1
7	4 LED Flex License Light S/Adhesive	# 07-7359W	1
8	6 x 16mm Allen Flathead Screw- zinc		2
9	6 x 16mm Phillips Head Screw -zinc		2
10	6 mm Large OD Flatwasher - zinc		4
11	18-22 ga. Crimp-on Butt wire connector	(not shown)	5
12	8 mm Steel Flatwasher - zinc		2
13	6" Black Nylon Cable Tie	(not shown)	2



TARGA TAIL KIT- SUZUKI SFV 650 GLADIUS 2009+ continued

